

# 6.35mm(.250") Wire To Wire And Wire To Board Connector



Connector & Terminal

## SPECIFICATIONS:

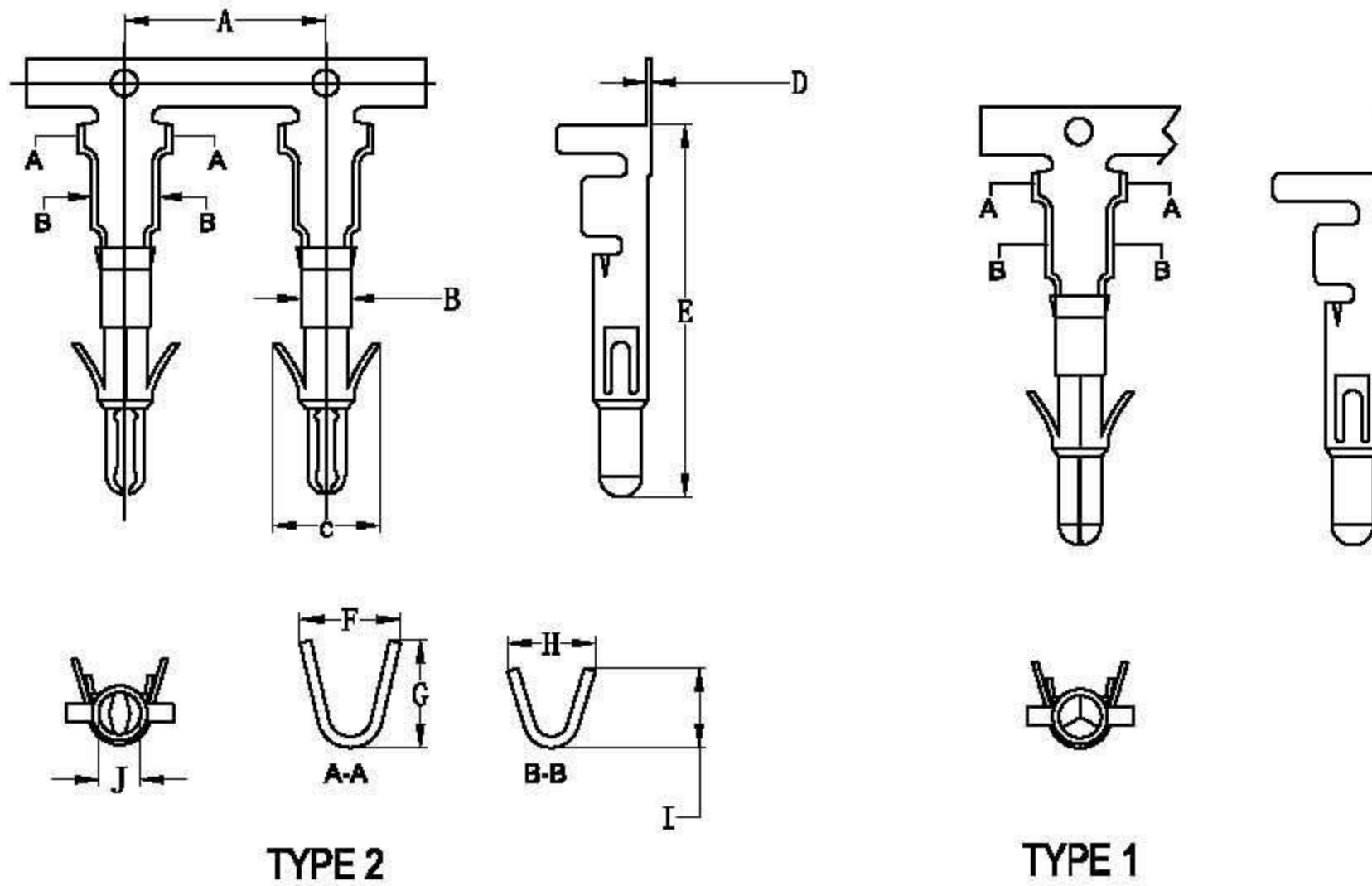
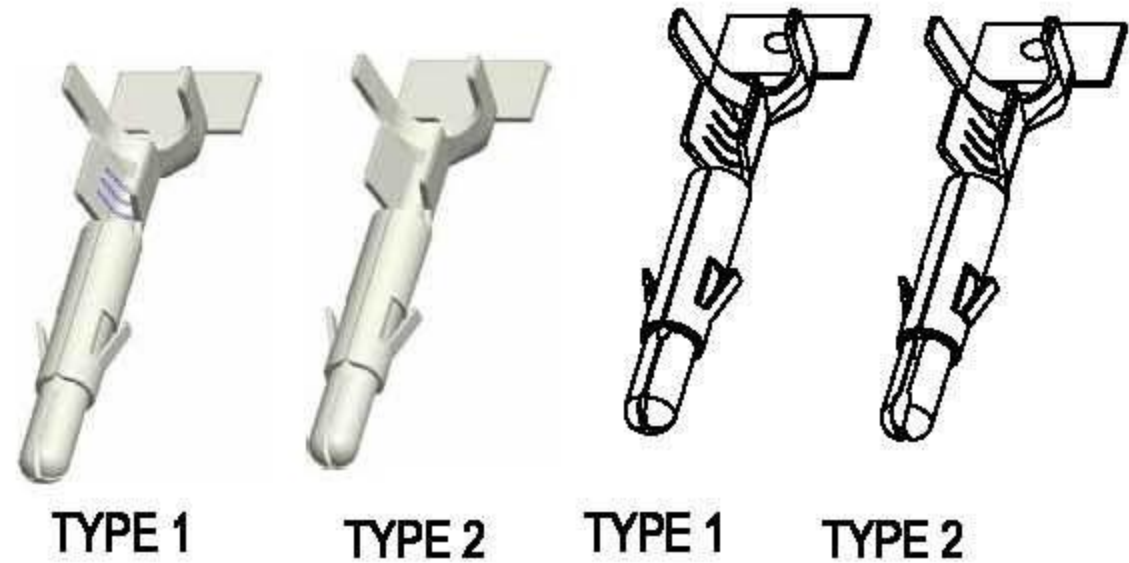
- Current Rating:15A AC,DC
- Voltage Rating:600V AC,DC
- Contact Resistance:10mΩ max.
- Withstanding Voltage:5000V AC/minute

Shenzhen Hongru Connector Co., Ltd

Email:yukyli@hrb-connector.com  
Tel: 86-0755 2709 6669  
Fax: 86-0755 2709 2392  
Skype: haiyuncheng-vivian  
Mobile(whatsapp): 86-186 8112 3590  
Website: http://www.hrb-connector.com

## Terminal

- Wire Size:AWG#14~#24
- Material:Brass
- Finish:Tin-plated
- Thickness:0.30mm
- Qty/Reel:5000pcs
- Terminal In Housing Retention Force Requirement:8.0kg (Min.)
- GWT:750°C IEC-60335-1



## Ordering Information And Dimensions

Part NO.	TYPE	A	B	C	D	E	F	G	H	I	J	Applicable wire	Q'ty
T9858BS-2	TYPE 1	11.00	2.70	4.20	0.30	20.30	4.10	4.65	2.90	3.50	2.07	AWG#18~#20	5000PCS
T9858BS-2A	TYPE 2	15.80	2.70	4.30	0.30	20.70	5.80	6.00	3.20	3.35	2.21	AWG#16~#14 or 2*#18	3000PCS
T9858BS-2C	TYPE 2	11.00	2.74	4.20	0.30	20.30	4.10	4.65	2.90	3.50	2.21	AWG#18~#22	5000PCS
T9858BS-2B	TYPE 1	11.00	2.70	4.20	0.30	20.30	2.60	2.40	2.00	2.10	2.07	AWG#22~#24	5000PCS

## PART CODE INFORMATION

XXXXX XX - X

I II III

I-T9858 Denoting series designation.

II-BS denoting brass of body

III-2,2A 2B or 2C, Denoting different of body construction

## NOTE:

TYPE 1 :Recommended Specifications 1P~6P

TYPE 2 :Recommended Specifications 9P~15P

